

FOR OFFICIAL USE

--	--	--	--	--	--

Total
Mark

--

NATIONAL QUALIFICATIONS 2015

MATHEMATICS
INTERMEDIATE 1
 Units 1, 2 and Applications of Mathematics
 Paper 1 (Non-calculator)

X101/10/01

TUESDAY, 19 MAY
1.00 PM – 1.35 PM



Fill in these boxes and read what is printed below.

Full name of centre

Town

--

--

Forename(s)

Surname

Number of seat

--

--

--

Date of birth

Day

Month

Year

Scottish candidate number

--	--

--	--

--	--

--	--	--	--	--	--	--	--	--	--

- You may NOT use a calculator.**
- Write your working and answers in the spaces provided. Additional space is provided at the end of this question-answer book for use if required. If you use this space, write clearly the number of the question involved.
- Full credit will be given only where the solution contains appropriate working.
- Before leaving the examination room you must give this book to the Invigilator. If you do not you may lose all the marks for this paper.

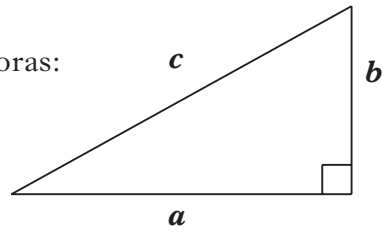
Use **blue** or **black** ink. Pencil may be used for graphs and diagrams only.



FORMULAE LIST

Circumference of a circle: $C = \pi d$
Area of a circle: $A = \pi r^2$
Curved surface area of a cylinder: $A = 2\pi rh$

Theorem of Pythagoras:



$$a^2 + b^2 = c^2$$



Marks

All questions should be attempted.

1. (a) Find $1.564 - 0.38$.

1

(b) Find 3.14×7000 .

1

(c) Find $\frac{5}{6}$ of 84.

1

2. A box contains 9 apples and 15 oranges.

A piece of fruit is chosen at random from the box.

What is the probability that an apple is chosen?

Give your answer as a fraction in its simplest form.

2

[Turn over



Marks

3. The table shows the record temperatures for Braemar for the month of November.

Record high temperature	16 °C
Record low temperature	-23 °C

Find the difference between the record high and record low temperatures.

2



Marks

4. Tom is taking part in a diving competition.

- He performs five dives.
- The competition has four judges.
- The judges' points for Tom's dives are recorded in the spreadsheet below.

1	A	B	C	D	E	F
2		Judge 1	Judge 2	Judge 3	Judge 4	Score
3	Dive 1	8.5	7.0	8.0	9.0	65
4	Dive 2	7.5	7.0	6.5	7.5	57
5	Dive 3	7.0	7.0	7.5	8.5	60
6	Dive 4	9.0	9.5	8.5	9.0	72
7	Dive 5	8.5	9.0	8.0	7.5	
8						

(a) The formula =SUM(B7..E7)*2 is to be entered in cell F7 to calculate Tom's score for Dive 5.

What number would appear in cell F7?

1

(b) Tom's average score for his five dives is to be entered in cell F8.

What **formula** should be used?

1

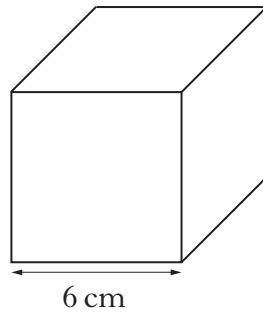
[Turn over



* X 1 0 1 1 0 0 1 0 5 *

Marks

5. This ice cube melts at a rate of 8 cubic centimetres per minute.
How long will it take to melt?



3



DO NOT
WRITE IN
THIS
MARGIN

Marks

6. Evaluate $(g + 2)^2$ when $g = -5$.

3

[Turn over



Marks

7. Farmer Jones has seventy dairy cows.

One day he recorded the amount of milk produced by each cow.

The frequency table below shows the results.

Amount of Milk (litres)	Number of cows
5	2
10	3
15	7
20	17
25	21
30	13
35	7
	Total = 70

(a) Write down the modal amount of milk produced.

1

(b) Complete the table below.

Amount of Milk (litres)	Number of Cows	Amount of Milk × Number of Cows
5	2	10
10	3	30
15	7	105
20	17	340
25	21	525
30	13	
35	7	
	Total = 70	Total =

1



Marks

7. (continued)

(c) Find the mean amount of milk produced.

2

[Turn over



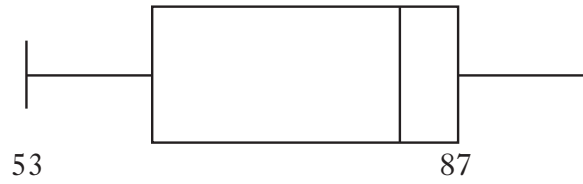
Marks

8. Fourteen competitors took part in a race over an obstacle course at an outdoor adventure park.

Their times, in seconds, to complete the course were:

53 76 84 61 86 97 59 87 65 93 94 87 68 80

Complete the boxplot, drawn below, to show this information.



4



Marks

9. The table below shows some travel insurance premiums charged by MegaTrip Holidays.

Number of days	INSURANCE PREMIUM per person		
	UK	Europe	Rest of world
1–6	£11	£17	£35
7–13	£13	£21	£39
14–20	£16	£26	£43

A group of nine people is travelling around Europe for two weeks. MegaTrip Holidays gives them a group discount of 5% on their travel insurance.

Find the total insurance premium for the group.

3

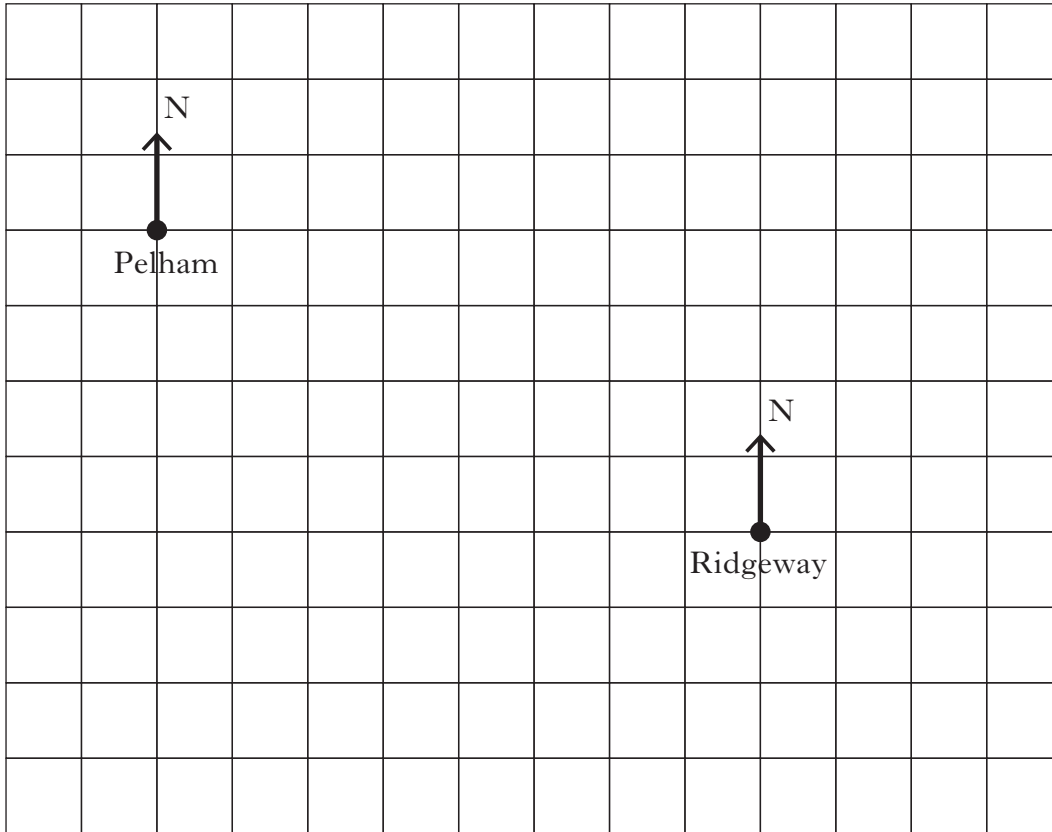
[Turn over for Question 10 on *Page twelve*]



* X 1 0 1 1 0 0 1 1 1 *

Marks

10. The scale drawing shows the positions of two airports, Pelham and Ridgeway.
The scale of the drawing is **1 centimetre represents 40 kilometres.**



- (a) Use the scale drawing to find the distance in kilometres between Pelham and Ridgeway.

1

- (b) An aeroplane lies on a bearing of

- 155° from Pelham
- 240° from Ridgeway.

Complete the scale drawing to show the position of the aeroplane.

3

[END OF QUESTION PAPER]



ADDITIONAL SPACE FOR ANSWERS

DO NOT
WRITE IN
THIS
MARGIN

--	--



* X 1 0 1 1 0 0 1 1 3 *

ADDITIONAL SPACE FOR ANSWERS

DO NOT
WRITE IN
THIS
MARGIN

--	--



* X 1 0 1 1 0 0 1 1 4 *

[BLANK PAGE]

DO NOT WRITE ON THIS PAGE



* X 1 0 1 1 0 0 1 1 5 *

[BLANK PAGE]

DO NOT WRITE ON THIS PAGE



* X 1 0 1 1 0 0 1 1 6 *

FOR OFFICIAL USE

--	--	--	--	--	--

Total
Mark

--

NATIONAL QUALIFICATIONS 2015

MATHEMATICS
INTERMEDIATE 1
Units 1, 2 and Applications of Mathematics
Paper 2

X101/10/02

TUESDAY, 19 MAY
1.55 PM – 2.50 PM



Fill in these boxes and read what is printed below.

Full name of centre

--

Town

--

Forename(s)

--

Surname

--

Number of seat

--

Date of birth

Day

--	--

Month

--	--

Year

--	--

Scottish candidate number

--	--	--	--	--	--	--	--	--	--

1 You may use a calculator.

2 Write your working and answers in the spaces provided. Additional space is provided at the end of this question-answer book for use if required. If you use this space, write clearly the number of the question involved.

3 Full credit will be given only where the solution contains appropriate working.

4 Before leaving the examination room you must give this book to the Invigilator. If you do not you may lose all the marks for this paper.

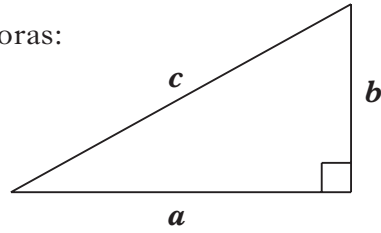
Use **blue** or **black** ink. Pencil may be used for graphs and diagrams only.



FORMULAE LIST

Circumference of a circle: $C = \pi d$
Area of a circle: $A = \pi r^2$
Curved surface area of a cylinder: $A = 2\pi r h$

Theorem of Pythagoras:



$$a^2 + b^2 = c^2$$



Marks

1. This information appears on a carton of fruit juice.

NUTRITION INFORMATION	
per 100 ml	
Energy	48 kcal
Protein	0.6 g
Carbohydrate	10.8 g
Vitamin C	34 mg

How much protein is in a 250 ml glass of fruit juice?

2

[Turn over



Marks

2. The table below shows the **number of monthly repayments** to be made when money is borrowed from a credit union.

	Amount Repaid each Month			
	£250	£300	£350	£400
Loan Amount	Number of Monthly Repayments			
£4000	20	17	14	13
£5000	25	21	18	16
£6000	30	25	21	19
£7000	35	29	25	22

Lois borrows £6000. She repays £350 each month.

- (a) How many months will it take her to pay off the loan?

1

- (b) Calculate her total payments.

1

- (c) Calculate how much this loan costs Lois.

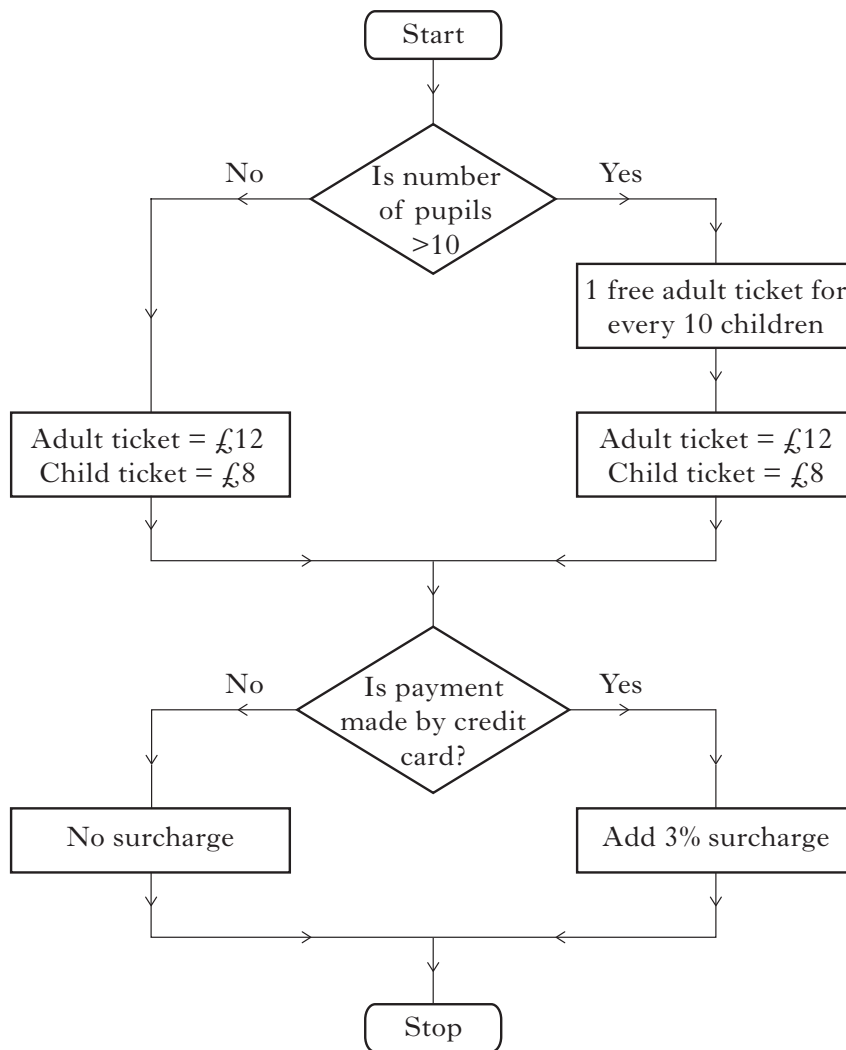
1



3. A group of school pupils and teachers is going to see a pantomime. This flowchart is used to work out the total cost of the tickets. There are 23 pupils and 4 teachers in the group. Payment will be made by credit card.

DO NOT
WRITE IN
THIS
MARGIN

Marks



Work out the total cost of the tickets for 23 pupils and 4 teachers if payment is made by credit card.

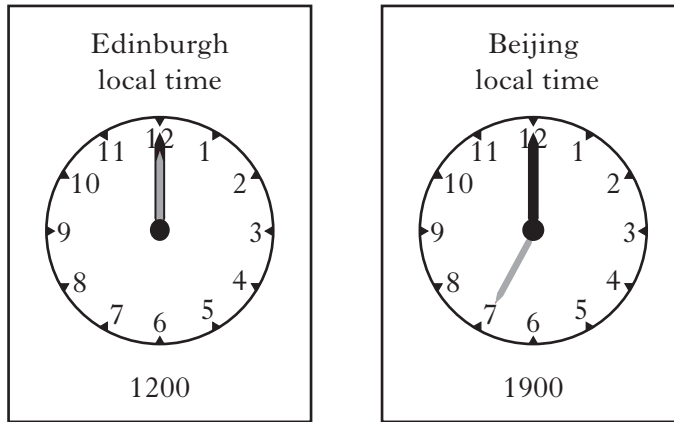
--	--

3



Marks

4. The time in Beijing is 7 hours ahead of the time in Edinburgh.
When it is 1200 in Edinburgh it is 1900 in Beijing.



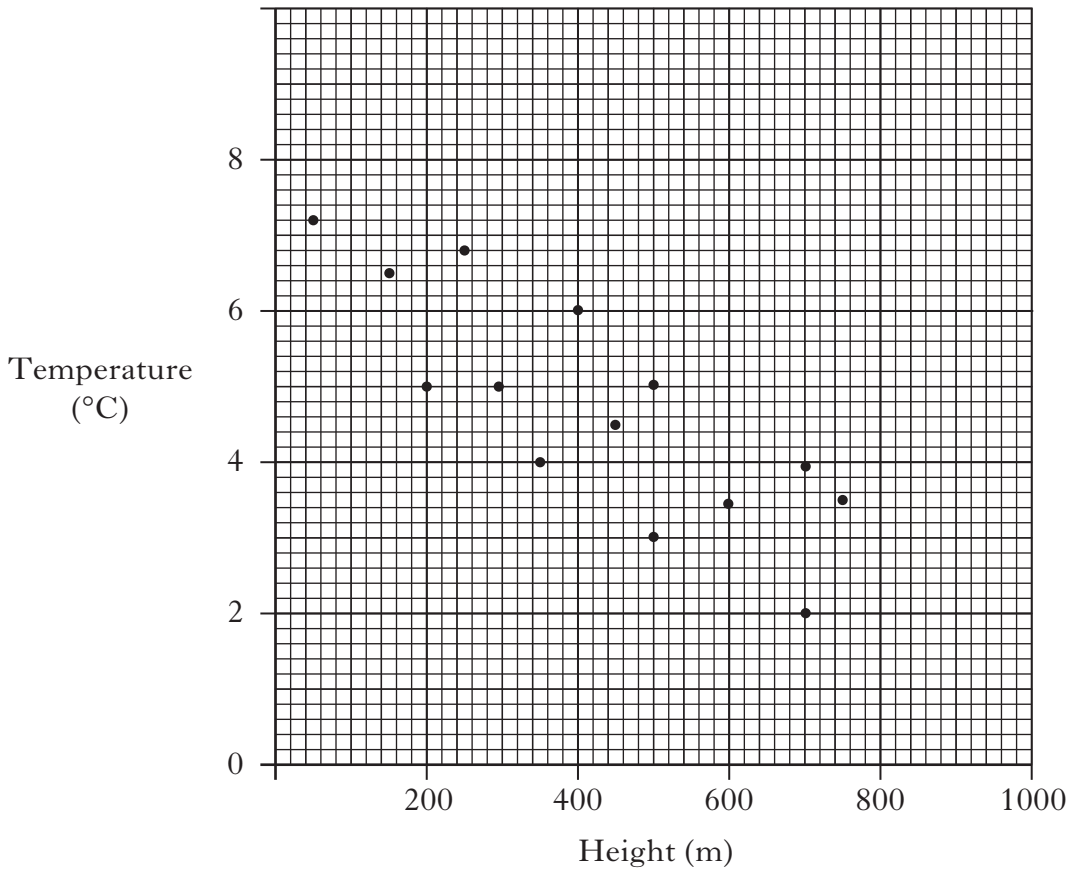
Paul leaves Edinburgh on Monday at 0945 to fly to Beijing.
His journey takes 13 hours 25 minutes in total.
What is the local time when he arrives in Beijing?

2



Marks

5. A hillwalker notes the temperature at various heights during a walk one day. The scattergraph shows the results.



- (a) Draw a line of best fit through the points on the graph.
- (b) Use your line of best fit to estimate the temperature at a height of 900 metres.

1

1

[Turn over



Marks

6. This job advert for a hairdresser appeared in a shop window.

Vacancy for Hairdresser	
Hours:	Tue, Wed, Fri & Sat 9.00 am – 12.30 pm & 1.30 pm – 4.00 pm Thu 4.00 pm – 8.00 pm
Pay:	Basic—£8.50 per hour Thursday—time and a half

Calculate the weekly wage for this job.

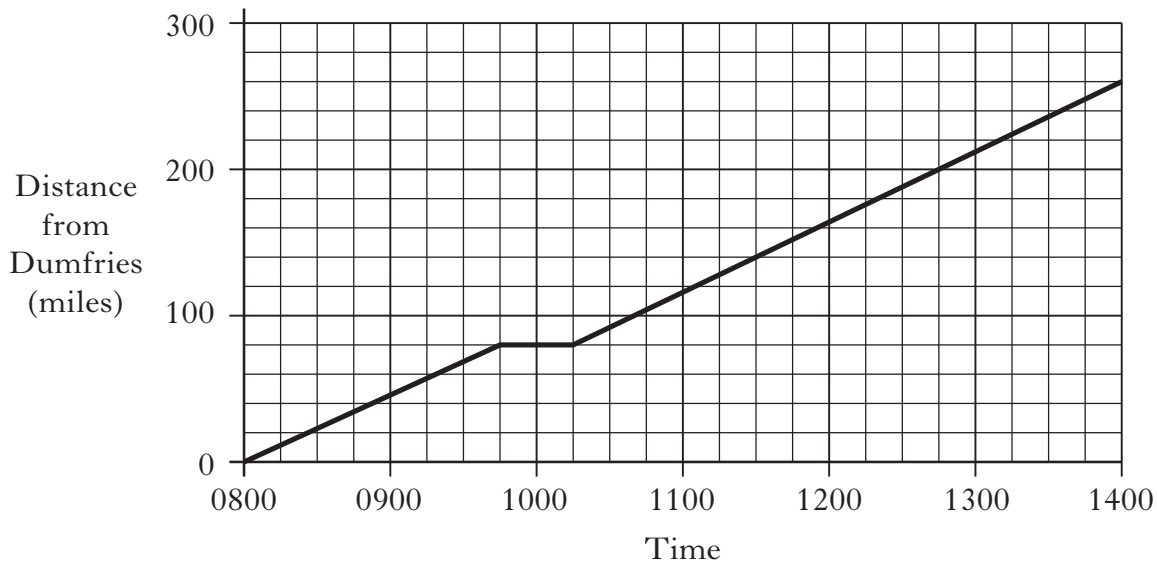
4



Marks

7. Amir travels by train from Dumfries to Glasgow where he then catches another train to Inverness.

His journey is shown on the graph below.



- (a) How long does he spend waiting in Glasgow?

1

- (b) Calculate the average speed of the train from Glasgow to Inverness.

3



* X 1 0 1 1 0 0 2 0 9 *

Marks

8. The following items are on sale at an Eastlife concert.

T-shirt	£12
Signed Photograph	£8
Baseball Cap	£6
Poster	£5
Fluorescent Stick	£2

Rebecca wants to buy **three different** items.

She wants to spend a **maximum** of £20.

One combination of **three different** items that Rebecca can buy is shown in the table below.

T-shirt £12	Signed Photograph £8	Baseball Cap £6	Poster £5	Fluorescent Stick £2	Total Cost £
		✓	✓	✓	13

Complete the table to show **all** the possible combinations of **three different** items that Rebecca can buy.

3



Marks

9. Shoppers at two stores, Lido and Eldi, were asked how much they spent on their last visit to the store.

Listed below are the amounts (in £) spent by ten shoppers at Lido.

48 37 42 57 81 73 64 61 72 39

- (a) Find the median.

2

- (b) Find the range.

1

Another ten shoppers were asked at Eldi.

The median was £67 and the range was £28.

- (c) Make **two** comments comparing the amounts spent by the shoppers at the Lido and Eldi stores.

2

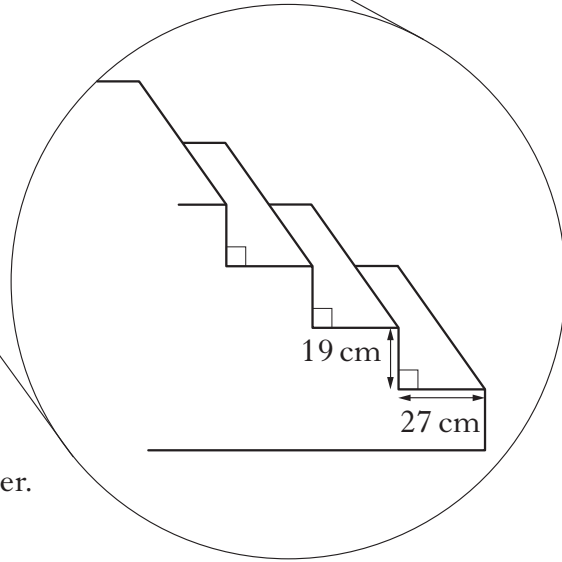
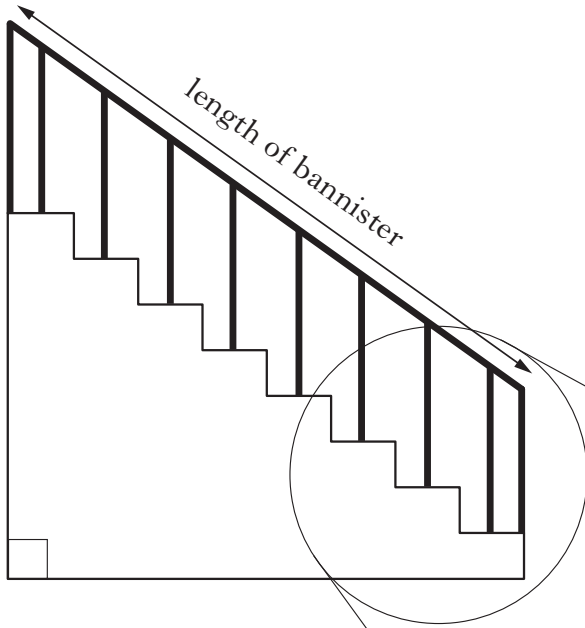
[Turn over



10. A flight of eight stairs has a bannister attached.

DO NOT
WRITE IN
THIS
MARGIN

Marks



Each stair has the dimensions shown here.

Calculate the length of the bannister.

Do not use a scale drawing.

--	--

4



Marks

11. Gina travelled from Rome to Aberdeen where she changed 1500 euros into pounds.

She spent £875 in Aberdeen and then changed the rest into Swiss francs before travelling to Zurich.

How many Swiss francs did Gina receive?

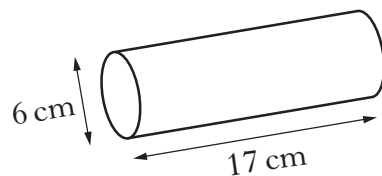
Exchange Rates

$$£1 = 1.25 \text{ euros}$$

$$£1 = 1.44 \text{ Swiss francs}$$

3

12. A cylinder has diameter 6 centimetres and length 17 centimetres.



Calculate the **curved** surface area of the cylinder.

3



Marks

13. Stuart borrows £4500 from a bank.
The rate of interest is 7·8% per annum.
Calculate the interest he owes after eleven months.

3

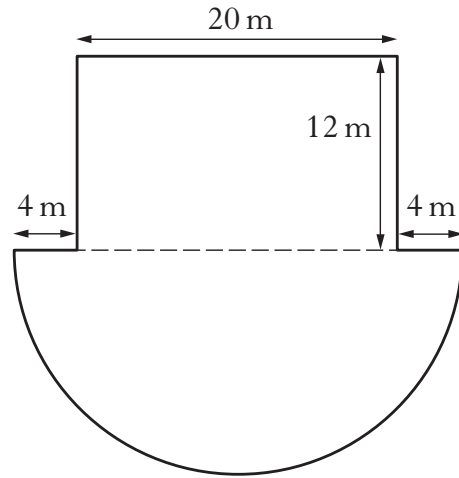
14. During a sale the price of a roll of wallpaper is reduced from £5·25
to £3·99.
Calculate the percentage reduction in the price of the roll of wallpaper.

4



Marks

15. The floor plan of a concert hall is shown below.



The stage is a rectangle and the seating area is a semi-circle.
Calculate the total area of the stage and seating area.
Give your answer correct to the **nearest square metre**.

5

[END OF QUESTION PAPER]



ADDITIONAL SPACE FOR ANSWERS

DO NOT
WRITE IN
THIS
MARGIN

--	--



* X 1 0 1 1 0 0 2 1 6 *

ADDITIONAL SPACE FOR ANSWERS

DO NOT
WRITE IN
THIS
MARGIN

--	--



* X 1 0 1 1 0 0 2 1 7 *

[BLANK PAGE]

DO NOT WRITE ON THIS PAGE



* X 1 0 1 1 0 0 2 1 8 *

[BLANK PAGE]

DO NOT WRITE ON THIS PAGE



* X 1 0 1 1 0 0 2 1 9 *

[BLANK PAGE]

DO NOT WRITE ON THIS PAGE



* X 1 0 1 1 0 0 2 2 0 *